



CENTRIFUGAL FERTILIZER SPREADER MOD. P - PL

OWNERS' MANUAL

 Read the Operator's manual entirely before using the machine 

ABONADORA CENTRÍFUGA TRANSPORTADA MOD. P - PL

MANUAL DE USO Y MANTENIMIENTO

 Leer atentamente este Manual antes del empleo de la máquina 



TRADE MARK



COSMO s.r.l.

Loc. Roata Raffo, 64



12022 BUSCA - Cuneo - ITALY

Tel. +39 0171 946654/946655 • Fax +39 0171 946723

www.cosmosrl.com • imcosmo@cosmosrl.com

CENTRIFUGAL FERTILIZER SPREADER MOD. P - PL

OWNERS' MANUAL

 Read the Operator's manual entirely before using the machine 

The Company

COSMO s.r.l.
Loc. Roata Raffa, 64
12022 Busca (Cn)
CUNEO - ITALY

STATES UNDER ITS OWN RESPONSIBILITY THAT THE MACHINE

TYPE	CENTRIFUGAL FERTILIZER SPREADER
MODEL	P - PL
SERIAL NUMBER	
MANUFACTURING YEAR	

is in keeping with the European Union law:

98/37/CE

(that abrogates and includes the rules 89/392/CEE, 91/368/CEE, 93/44/CEE e 93/68/CEE)

For the machine's adjustment the following normative laws have been used:

EN 1553 1999

EN 14017 2001

and also the following technical specifications:

ISO 11684

Busca (CN),

SIGNATURE

INDEX

1. INTRODUCTION	6
2. GENERAL INFORMATION	6
2.1. USING THIS MANUAL	6
2.2. INFORMATION ON THE MACHINE	7
2.2.1. NAME PLATE	7
2.2.2. CHARACTERISTICS OF THE MACHINE	7
2.2.3. TERMINOLOGY	9
2.2.4. TECHNICAL DATA	9
3. IMPORTANT SAFETY INFORMATION	10
3.1. SAFETY SIGNALS	14
4. CONNECTIONS	15
4.1. CHECK THE RAISING ABILITY OF THE TRACTOR	15
4.2. CONNECTION TO THE 3-POINT HITCH OF THE TRACTOR	16
4.3. DRIVELINE INSTALLATION	16
5. FERTILIZER SPREADER USE	17
5.1. ADJUSTMENTS	18
5.1.1. ADJUST THE SPREADING VANES	18
5.1.2. HOW TO ADJUST THE SPREADING	19
5.2. HOPPER LOAD	20
5.3. SPREADING OF THE FERTILIZER IN THE FIELD	20
5.3.1. SPREADING MISTAKES	22
6. GENERAL MAINTENANCE	23
6.1. LUBRICATION	24
6.2. REPLACEMENT OF THE SPREADER VANES	24
6.3. STORAGE	25
6.4. SPARE PARTS	25
7. WARRANTY	26
8. PARTS BREAKDOWN	27

COPYRIGHT BY COSMO

The technical information of this manual are ownership of Cosmo S.r.l. and must be considered strictly reserved.

It is forbidden text and illustrations' reproduction.

Ediz. 03/2006

1. INTRODUCTION

The centrifugal fertilizer spreaders are machines used for the distribution of solid, granular fertilizers and seeds in the field. They can be used whether with tractors of small/medium power.

It is recommended to carefully read this operator's manual of use and maintenance and follow the recommendations to help ensure safe and efficient operation with and on the machine.

This manual has been written, in order to give the customer all the information and safety rules on the machine, as well as use and maintenance instructions that let to make good use of the potentialities of the machine.

The manual must always be handy, so as to consult it, in order to check the operational cycle. If it gets lost or damaged, it will be necessary to ask for a substitutive copy.

In case of some difficulties of interpretation on texts or tables, or if the drawings/sketches are not clear enough, please get immediately in touch with the manufacturer or dealer of the machine for having all the clarifications through the experts in the working/maintenance or through the person who wrote the manual.

We are completely available for a real collaboration, in order to improve the understanding of the whole manual.

2. GENERAL INFORMATION

2.1 USING THIS MANUAL

This manual gives all the information for the use and maintenance of the machine. The good working and its life depends on the good maintenance and to the attention during the use.

Some pictures in this manual show details or accessories that could be different from those of your machine, some components could be removed, in order to assure the clearness of the pictures.

Some signal words are put on the machine and the operator shall see to keep them in a perfect visual condition, replacing them when they are not readable anymore.



The symbol on the left, joined to the words under shown:

DANGER!
ATTENTION!
WARNING!

are used in this manual to draw your attention on the safety and good work of the machine. Therefore, it is necessary to observe all the written rules.

We recommended to use the original spare parts and accessories.

The not original parts, besides to decline the guarantee, could be dangerous reducing the length and the performances of the machine.

2.2. INFORMATION ON THE MACHINE

The models introduced in this manual have been designed and made exclusively allowing the distribution of solid, granular fertilizers and of seeds in the field. The machine is not indicated for being used in different sectors from the agricultural one.

These machines are usually used during the day. If it is required the nocturnal use or with poor visibility, it must use the lighting system of the tractor or of the equipment to which the machine is connected.

A different use, like the above mentioned one is considered improper.

Any arbitrary modification made to this machine relieve the manufacturer from any responsibility for damages or lesions, also serious, that can be caused to the operators, to third parties or to things.

2.2.1. NAME PLATE

On the hopper of every machine, a name plate is fixed showing the model, the number of series and the year of construction of the machine.

When some spare parts are required, it is always necessary to refer to the type of machine, to the serial number and to the manufacturing year.



Location of the name plate on the machine

2.2.2. CHARACTERISTICS OF THE MACHINE

The hardness of the steel welded frame, together with the remarkable life of the plastic hopper, let to obtain a highest quality level of the pull type spreaders.

The painting is made by an epoxy varnish with successive backing at 150 °c with the application of the primer bath, assuring a great protection and long life of the machine.

The fertilizer spreader P model has a distributor of fertilizer completely in stainless steel equipped with a spreader disc with four adjustable vanes in four different positions, in order to obtain the maximum spreading precision and uniformity in the distribution, depending on the kind of product that must be spreaded.



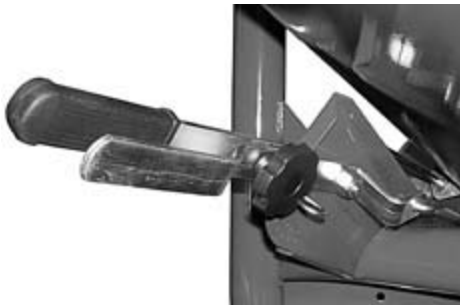
Spreader disc

The feeding of the disc is by gravity through an opening, located on the bottom of the hopper, inside of which a mix/agitator is applied, in order to prevent the fertilizer lumps formation. A sheet case is placed in front of the disc, in order to prevent the spreading in the front side of the machine.

The fertilizer delivery is controlled by properly opening of the orifices in the hopper bottom, through lock devices operated by levers.



Agitator



Lever system

The fertilizer spreader is connected through a gear box (1:1) with gears module 17 in order to be resistant, absorbing possible power stress.

The PL version has a plastic hopper instead of steel, perfectly interchangeable with all the models of P version.

On demand, it is possible to equip the machine with a lateral conveyor to be used for the spreading of the fertilizer in the orchard.



2.2.3. TERMINOLOGY



- A. Regulating lever
- B. Third hitch point
- C. Sheet case
- D. Hitch pin
- E. Pto shaft hitch
- F. Hopper
- G. Steel frame
- H. Distributor vanes

2.2.4. TECHNICAL DATA

TECNICAL CHARACTERISTICS					
	P180	P250	P300	P400	P500
HOPPER CAPACITY (litres /gallons) (Kg/lbs)	165/44 213/470	220/58 285/628	260/79 335/739	300/79 387/853	345/91 450/992
Weight of the machine (kg/lbs)	54/119	56/123	58/128	60/132	63/139
Loading height (meters/inches)	0.91/36	1.01/40	1.05/41	1.07/42	1.13/44.5
Hopper width (meters/inches)	0.90/35.43	1.00/39.37	1.05/41.33	1.08/52.71	1.11/43.89
Spreading width (meters/ft)					
Granular	12-14/39-46	12-14/39-46	12-14/39-46	12-14/39-46	12-14/39-46
Crystalline	6-7/20-23	6-7/20-23	6-7/20-23	6-7/20-23	6-7/20-23
Power required at 540 rpm (Kw/Hp)	8/6	8/6	8/6	8/6	8/6

3. IMPORTANT SAFETY INFORMATION

THE FOLLOWING SAFETY RECCOMENDATIONS ARE TO SAFEGUARD YOUR INCOLUMITY: THEREFORE IT IS NECESSARY TO READ THEM CAREFULLY, MEMORIZING AND ALWAYS APPLYING THEM.

The present warnings in this manual regard exclusively the allowed uses and reasonably foreseeable. All below instructions must be integrated by the common sense and by the experience of who works, indispensable measures to prevent accidents.

The machine must be used by a single operator. It is forbidden the use of the machine to under-ages.

All the listed instructions must be carefully respected.

Possible changes on the machine, not preventively authorized by the manufacturer (by written copy), exclude his responsibility.

Check the correct functioning of the machine, before every employment.

General advices

- Read carefully this manual before proceeding to start, operate, employ or maintenance on the machine.
- Watch, in addition to the warnings of this manual, all the safety, accident prevention rules and of general nature.
- The manual must always be handy, so as to consult it, in order to check working cycle and safety information. In case of loss or damage, it will be necessary to ask for a substitutive copy.



ATTENTION!

Any work of maintenance, regulation and cleaning must be done with the machine on the ground (in stable conditions), turning off the tractor engine and removing the key.

- Read carefully the safety signal words applied on the machine and follow the instructions. In case of wear and tear or insufficient readability of the safety signal words, clean them up or replace them, placing the signal words in the right position, as shown in paragraph 3.1.



ATTENTION! - WARNING!

The operator, during the period of use, maintenance, repair, handling or storing of the machine, must wear accident-prevention shoes and safety gloves. Moreover, if it is necessary he must wear suitable hearing protections such as earmuffs or earplugs, dust masks and protective glasses.

- During loading phase, there is the danger of powders inhalation produced by fertilizer mixing. It is suggested to use tractors with filters on the ventilation system of the cabin, to use suitable safety systems of breathing, like powder masks or masks with filter.

-
-
- The machine is designed for being used by a single operator who, during the use, must always stay in the stationing control on the tractor.
 - Never work with this machine if you are tired, sick or after having took drinks, drugs or medicines.



DANGER!

**It is forbidden to climb or to transport somebody when the machine is in motion.
Do not let inside the hopper for any reason.**

- Keep the machine cleaned up from foreign bodies (debris, tools, miscellaneous), as they could damage the operations or the operator. **Generally the fertilizers are rather corrosive. For this reason, it is important that any particle of the fertilizer stay in the machine for a long period of time. Clean the hopper and the distributor after each use of the machine.**
- If during cleaning operations it is used air or water with pressure, it is necessary to wear glasses and safety masks keeping away possible persons or animals from the machine.
- Before connecting the machine to the tractor or to other self-moving means check that this is in good conditions and that brakes work correctly, especially if you work on sloping grounds.
- Switch off the machine from tractor only on a compact and level ground (with empty hopper), checking that the machine is stable.



WARNING!

During transport operations, stocking and employment of the fertilizers, the operators must follow all the label indications and particularly to the content of the written risks and the precaution suggestions.



ATTENTION!

The Manufacturer does not answer to possible damages caused by an improper and unforeseen use of the machine.

The Manufacturer is not responsible in case of:

- improper use of the machine, use by not trained staff;
- serious deficiencies in the foreseen maintenance;
- changes or not allowed interventions;
- use of not original or specific spare parts;
- total or partial inobservance of the instructions;
- inobservance of the common safety rules during work;
- unusual cases.

Connection of the machine to the tractor

- The third hitch point of the tractor and the fertilizer spreader must coincide or must be adapted.
- Make sure that the pto shaft is engaged in right way after every linkage operation of the machine and that it does not come uncoupled when the machine is lowered in order to fill the hopped up.



ATTENTION! DANGER!

Check that the protections of the pto shaft are complete and in good conditions.

- In case of breaking or deterioration of the pto shaft protections, please replace them immediately.
- When the machine is not linked to the power unit, the pto shaft must be placed on the appropriate support.
- The presence of the machine can influence the manoeuvrability of the tractor, in particular during transport.



ATTENTION!

Do not come, for any reason, between the tractor and the fertilizer spreader when the engine is running and the power take-off is on.

Operation of the machine

- Make a check of the machine before switching it on. Start to work only if the machine is in perfect conditions.
- Before using the machine, please be sure that all the safety devices are correctly placed and in good state; in case of breakdowns or damages to the protections, please replace them immediately.



ATTENTION!

During work, please be sure that for a radius of 50 meters there are not any person or animals. When you work in proximity of roads or public places, it is ABSOLUTELY OBLIGATORY to keep away persons and to increase the precautions.



ATTENTION!

Anybody who comes up to the machine is in a danger area, therefore he becomes "AN EXPOSED PERSON". The operator must prevent anybody to come into the danger area and to work with the maximum caution. If somebody comes up, please stop immediately the tractor engine.

- Before every use of the centrifugal spreader, please always check the wear of the vanes and of the spreader disc. Check that all the fixing components (screws, bolts etc.) are in and fixed.
- The machine must never be unattended when it is moving.
- Keep always the machine in good operating conditions and make regularly the maintenance.

Transfer on the road



ATTENTION!

Please follow scrupulously the Highway code in force in the country of use.

During moves on public roads, it is obligatory to empty the hopper.

- Remember that during moving on public roads, special attention must be done, besides to possible and special regulations noted on the registration book of the tractor, choosing an appropriate speed especially when the street is crowded, winding or sloping.
- If the spreader hides with its shape the back signalling lights of the tractor, it is necessary to put a lights bar and/or some back signalling signs.
- During the moving on the road, please clean tyres or the working mechanism, in order to avoid to dirty the feather edge with earth or other material.



ATTENTION!

During the moving on the road, the warning flasher, yellow or orange, assembled on the tractor must always be in function also during the day.



ATTENTION!

During transport with raised machine, please always check that the control lever of the rear lifter is locked, in order to avoid the accidental lowering of the machine.

3.1. SAFETY SIGNALS



ATTENTION!

Be sure that the safety labels are readable. Clean them up using a cloth, water and soap. Replace the damaged labels placing them in the right position, as subsequently described.

The safety signs on the machine supply the most important indications: their observance helps your safeness.



1. ATTENTION! Before making any operation on the machine, stop the engine of the tractor or of the self-moving means, remove the key, put on the parking brake and read carefully the operator's manual.



3. ATTENTION! Check the sense of rotation and the number of revolutions (540 rpm) of the tractor power before placing the pto shaft.



5. ATTENTION! - DANGER! Possible throwing of material and/or objects, please do not stop or come up to the machine. Keep a safety distance of 50 meters, at least, from the machine.



2. ATTENTION! DANGER of entangling and dragging. Do not put hands near the running gear box.



4. ATTENTION! DANGER of crushing. Do not stop between the machine and tractor when the tractor engine is running.



6. ATTENTION! DANGER of shearing. Do not approach limbs to the spreader disc when the machine is running.



7. ATTENTION! Use the individual Protection Devices, as required.

Where placing the safety signals on the machine



4. CONNECTIONS

Before coupling the machine to the 3-point hitch, positioning the safety devices to the tractor, so that it is not possible the involuntary and/or accidental raising and lowering of the arms.

The 3-point hitch of the tractor and of the machine must coincide or must be adapted.

In proximity of arms rods of the back lifter of the tractor, there is the danger of wounding, because of crushing and cutting points.

Do not use the external controls for the lifting of the machine.

During transport position block the lateral stop of the rods.

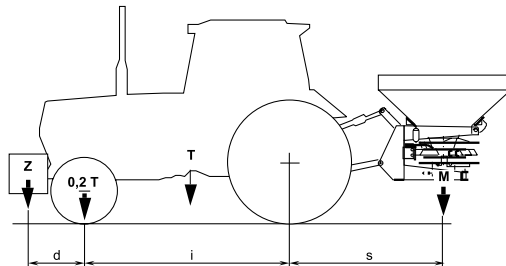
4.1. CHECK THE RAISING ABILITY OF THE TRACTOR



DANGER!

It is obligatory to check the raising ability and the stability of the tractor (before carrying out the connection with the machine) in order to avoid the overturning and/or the loss of wheels grip.

Check the raising ability and the stability of the tractor through the following formula and if it is necessary please apply some ballasts on the back.



$$M s \leq 0,2 T i + Z (d + i)$$
$$M \leq 0,3 T$$

i	=	Wheels base of the tractor
d	=	Distance of load ballast back axle
s	=	Bounce of the machine rear axle
T	=	Tractor load + 75 kg (operator)
Z	=	Load ballast
M	=	Machine load

4.2. CONNECTION TO THE 3-POINT HITCH OF THE TRACTOR



ATTENTION!

Every time that somebody comes down from the tractor, it is necessary to disconnect the pto shaft, stopping the engine and to put on the parking brake.

For the connection of the machine to the tractor, please operate in the following way:

- Step backwards with the tractor until arriving in proximity of the lower connections of the fertilizer spreader.
- Fix the lower connections of the tractor to the pins of the machine and lock them with the safety plugs.
- Connect the upper linkage of the machine to the 3-point hitch of the tractor putting the appropriate pin and block the anti-unscrewing device of the 3-point hitch;
- Raise the machine of some centimetres by the ground and operate on the lateral ties of the lifter bars and on the two turnbuckles, in order to block the lateral movement, so as to prevent excessive oscillations during the working phase.

The machine must be positioned, through the raising of the lower connections of the tractor, so that the land distance from the lower extremity of the distributor disc is approximately of 70 cm. To obtain a regular distribution, it is important that the distributor disc is in horizontal position compared to the land.

- After having made these operations, the pto shaft must be linked to the splined shaft of the gearbox of the machine (covered by a safety cowling) and after to the tractor power take-off.



ATTENTION!

The pto shaft must always be connected at last to the tractor power take off and disconnected at first, when you stop working.

4.3. DRIVELINE INSTALLATION

Before using the pto shaft, please consult the use and maintenance manual attached to the pto shaft.

In case that the pto shaft, supplied with the machine, is not used, please check that the cowlings of the machines and of tractors are overlapped to the pto shaft's shield of 5 cm., at least.

For a correct and safe operation of the machine, please use exclusively pto shafts with CE mark.

Please use pto shafts with integral shields.

- Grease periodically, the pto shaft following the instruction supplied by the pto shaft manufacturer (see the use and maintenance manual of the pto shaft).
- Observe the sense of assembly of the pto shaft, as indicated by the manufacturer and shown on the outer cover of the shield (tractor drawing on the external tube of the pto shaft towards the power take-off of the same tractor).

- Fasten the safety anti-rotation chains and make sure that the safety anti-removing block (push connecting ring nut) is correctly placed and blocked in the right lodging.



ATTENTION!

Check the rotation sense and the speed regulation of the power take-off of the tractor to be at 540 rpm, as the machine is projected for this kind of speed.

The length of the pto shaft must be adapted to the type of used tractor.

When the pto shaft is released from the power take-off of the tractor must ALWAYS be laid on the appropriate support.

COSMO Company is not responsible for the damages caused by an incorrect assembly and use of the pto shaft.

5. FERTILIZER SPREADER USE



ATTENTION!

Before use, please check that gears are adequately greased (see paragraph 5.1).



ATTENTION!

During the use of the machine, please be sure that for a radius of 50 meters there are not any person or animals. If somebody comes up, please stop immediately the tractor engine.

Suggestions for a correct spreading:

- Before starting to spread please test always kg/ha you need to spread.
- Use a fertilizer in good conditions: a dump fertilizer cannot be spread properly and with uniformity.
- Do not connect the power take-off that operates the spreading disc when the tractor is picked up; low RPM until it idles and afterwards speed up gradually till you can achieve a speed of 540 RPM.
- Open the fertilizer outputs only when the desired speed is achieved.
- Do not spread fertilizer in windy days for improving the uniformity.

In case you use the machine for spreading salt you need to the limiter in the back of the disc.

The spreading limiter is equipped with two plates, right and left with knobs.

These plates must be fixed to the spreader frame through cup head square screws 10x30 that fix the hopper to the frame.

The knobs are used to fix the spreading limiter upwards or downwards according to the spreading radius set.

More the limiter is downwards, more the spreading radius width is reduced and vice versa.



Salt spreader limiter

5.1. ADJUSTMENTS

It is not possible to have an exact spreading chart for equipments that make use of the centrifugal principle, given that the distributed quantity depends on the feed speed, on the radius of distribution, on the quality and humidity of the fertilizer and on the roughness of the land.

The fertilizer must always be stored and conserved adequately, so as to keep its physical characteristics unchanged.

It is necessary to set the speed of the centrifugal spreader, before starting the operation of distribution, trying, in the possible limits, to keep it constant for all its duration.

The spreading charts contain the **indicative information**, in order to determine the quantity to spread in the field; these must be completed by the experience and competence of the operator.

5.1.1. ADJUST THE SPREADING VANES

The fertilizer spreader is delivered with vanes on the disc in position **"3"** that is the ideal position in order to achieve uniformity in spreading with most of fertilizers available for sale.

In case the spreading width is not uniform (more fertilizer on one side than the other one) move the vanes until you achieve the right adjustment.

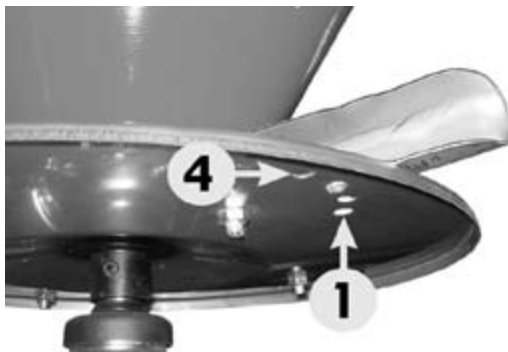
Usually you only need to move two opposite vanes to achieve good results.

If this correction is not enough make the same adjustment on the other two opposite vanes.

For instance, if you notice more fertilizer spread on the left side (as regards the tractor's movement), move two opposite vanes in position **"4"**.

If after this adjustment the spreading width is not yet uniform, set the two opposite vanes in position **"4"** as well.

If there is more fertilizer spread on the spreading is higher on the right side, set the vanes in position **"2"** or **"1"**.

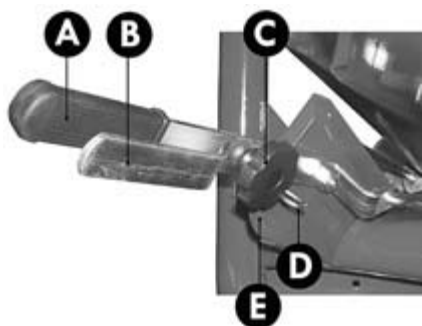


Regulation of the distributor vanes

5.1.2. HOW TO ADJUST THE SPREADING

The fertilizer spreading is regulated through the regulation lever that moves the opening section on the bottom of the hopper.

In order to carry out the regulation, after having consulted the spreading table, according to the type of product to spread and to the spreader speed, it is necessary to move the lever "A" along the graduated scale "E" and blocking it in the chosen position with the pin "D".



SPREADING CHART											
SPREADING CHART FOR FERTILIZER						SPREADING CHART FOR SEED					
RATE	SPREADER SPEED (km/h)										
	0	1	2	3	4	5	6	7	8	9	10
LARGE	1.0	1.5	2.0	2.5	3.0	3.5	4.0	4.5	5.0	5.5	6.0
SMALLER	1.0	1.5	2.0	2.5	3.0	3.5	4.0	4.5	5.0	5.5	6.0
FERTILIZER	1.0	1.5	2.0	2.5	3.0	3.5	4.0	4.5	5.0	5.5	6.0
MEDIUM	1.0	1.5	2.0	2.5	3.0	3.5	4.0	4.5	5.0	5.5	6.0
SMALLER	1.0	1.5	2.0	2.5	3.0	3.5	4.0	4.5	5.0	5.5	6.0
FERTILIZER	1.0	1.5	2.0	2.5	3.0	3.5	4.0	4.5	5.0	5.5	6.0
FINE	1.0	1.5	2.0	2.5	3.0	3.5	4.0	4.5	5.0	5.5	6.0
SMALLER	1.0	1.5	2.0	2.5	3.0	3.5	4.0	4.5	5.0	5.5	6.0
FERTILIZER	1.0	1.5	2.0	2.5	3.0	3.5	4.0	4.5	5.0	5.5	6.0
SEED	1.0	1.5	2.0	2.5	3.0	3.5	4.0	4.5	5.0	5.5	6.0
SMALLER	1.0	1.5	2.0	2.5	3.0	3.5	4.0	4.5	5.0	5.5	6.0
FERTILIZER	1.0	1.5	2.0	2.5	3.0	3.5	4.0	4.5	5.0	5.5	6.0
SEED	1.0	1.5	2.0	2.5	3.0	3.5	4.0	4.5	5.0	5.5	6.0
SMALLER	1.0	1.5	2.0	2.5	3.0	3.5	4.0	4.5	5.0	5.5	6.0
FERTILIZER	1.0	1.5	2.0	2.5	3.0	3.5	4.0	4.5	5.0	5.5	6.0
SEED	1.0	1.5	2.0	2.5	3.0	3.5	4.0	4.5	5.0	5.5	6.0
SMALLER	1.0	1.5	2.0	2.5	3.0	3.5	4.0	4.5	5.0	5.5	6.0
FERTILIZER	1.0	1.5	2.0	2.5	3.0	3.5	4.0	4.5	5.0	5.5	6.0
SEED	1.0	1.5	2.0	2.5	3.0	3.5	4.0	4.5	5.0	5.5	6.0
SMALLER	1.0	1.5	2.0	2.5	3.0	3.5	4.0	4.5	5.0	5.5	6.0
FERTILIZER	1.0	1.5	2.0	2.5	3.0	3.5	4.0	4.5	5.0	5.5	6.0
SEED	1.0	1.5	2.0	2.5	3.0	3.5	4.0	4.5	5.0	5.5	6.0

Before using the spreader make sure that the shutters could close the holes completely with lever in "closed" position. Otherwise adjust it through the nuts.

In order to spread from both sides (ref. I), "A" and "B" levers must be in the same position, connected through grip handle "C".

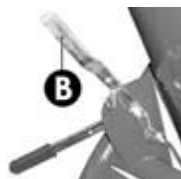


In order to carry out the spreading only through the left side (ref. II), it is necessary to disconnect the two levers removing the "C" grip handle, to set the lever "A" in the chosen position, given by the spreading chart, and to bring the lever "B" towards the higher part (position 1) in order to close the shutter of the left side.

In order to spread only on to the right side (ref. III) you have to move the lever "A" up, (in position 1) and regulate the quantity to spread with the lever "B".



Distribution on right side (ref. III)



Distribution on left side (ref. II)



5.2. HOPPER LOAD

It is advised not to carry out the hopper loading manually but using a lifter or suitable mechanical means.



ATTENTION!

The hopper must be loaded only after having hitched the spreader to the tractor.

Do not drive for very long distances with a full load and do not put full bags on the fertiliser loaded in the hopper during the transport to the field or during the working, in order not to overload the capacity of the machine and to compress the fertilizer.



WARNING!

During the operations of transport, stock and use of fertilizers, the operator must be behaved in compliance with the indications on the label of the product and in particular with the content of the sentences of risk and the precaution advices.

5.3. SPREADING OF THE FERTILIZER IN THE FIELD



ATTENTION! - WARNING!

The operator, during the period of use, maintenance, repair, transport or storing of the machine, must wear accident-prevention shoes and gloves of security. If it is necessary, he will have, moreover, to wear headset, mask and glasses.

After having hitched the machine to the tractor and having carried out the necessary regulations, it is possible to begin to work.



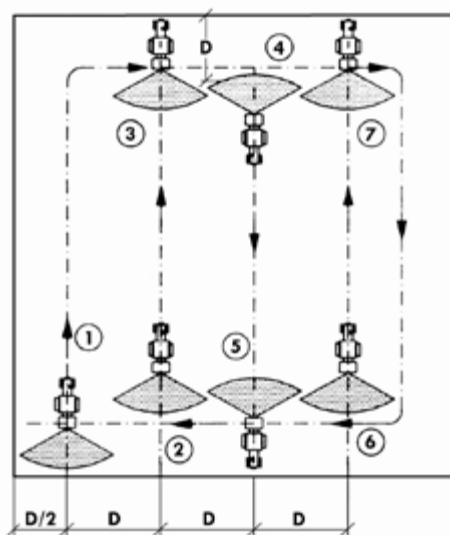
ATTENTION!

Before getting off from the spreader and before every operation of maintenance and regulation, set in action the parking brake, turn off the engine, remove the ignition key from the dashboard and await the stop of all the moving parts.

Engage the axle with the pin, so that the spreader can be set in action by the turning wheels, only when the spreading operation has to be carried out.

Various ways there are to spread the fertilizer in the field. One of the simplest methods is, as follows:

- Position the spreader at the beginning of the field you intend to fertilise, to a distance ($D/2$) that is the half of the working width that is used (point 1);
- Drive in the field, distributing the fertilizer on all the perimeter;
- Stop the tractor at one distance (D) from the point 1, equivalent to the set working width (point 2);
- Begin the spreading proceeding in line, straight to point 3. Turn the tractor and drive a D distance, equal to the working width (point 4);
- Repeat such procedure until all the plot will be covered.



5.3.1. SPREADING MISTAKES

Mistakes of use

- Drive speed;
- Incorrect spreading width;
- The spreading disc is not in a horizontal position compared to the land;
- Drive speed is different to those suggested by the spreading tables, or however not suitable for that particular type of fertilizer;
- Drive mistakes (lack of superimposition of the spreading surfaces);
- Lack of cleaning of distributing discs and the gates opening.

Mistakes due to the fertilizer

- Fertilizer of poor quality. Wet or excessive humid fertilizer;
- Incorrect fertilizer composition or it does not correspond to what declared from the vendor;
- Presence of excessive fertilizer lumps or with particular great dimensions that influence negatively on the yield of the spreading;
- Foreign body in the fertilizer.

Mistakes due to the spreader.

- Spreading exits clogged;
- Parts of the spreading disc worn away or damaged.

6. GENERAL MAINTENANCE

The ordinary maintenance criteria we suggest, are based on the company experience and on the advices and suggestions from our customers.

Such criteria are not exhaustive can be further integrated also with the collaboration of the customers that we thanks in advance.

A good ordinary maintenance keeps the operating costs of the machine low and provide an integral exploitation of its potentialities.



ATTENTION!

Whichever work of maintenance, regulation and cleaning must be carried out with the machine on the ground (in stable conditions), engine turned off, handbrake set, key of ignition off and removed from the ignition board.

In damage case, the operator must stop the machine immediately, assess the entity of the problem and proceed with eventual actions on the machine.

If pressure water or compressed air is used for the cleaning of the machine, it is necessary to protect oneself with proper glasses or protection masks and to remove eventual persons or animals near the machine. Do not use inflammable fluids.



ATTENTION!

For the maintenance operations, always use the fit Individual Protection Devices (accident-prevention footwear and gloves) and to prepare all the accident-prevention steps for the type of operation in course.

Every 8 hours of effective job, control the tightness of all nuts and bolts.

In case of anomalous vibrations, verify the status of wear of the vanes of the spreading disc, the corrected tightness of all the nuts and bolts and the lubrication of the gear box.

The excessive vibration of the machine, besides the specific annoyance, is dangerous and damaging for the entire structure subjecting the mechanical parts to more and more stress cycles compared to the advice pictures.

As regards particular actions that the user does not know or regarding broken parts replacing which are not shown in this manual, it is necessary to consult specialised personnel, making use of the Assistance service by the manufacturer or its distributors.

6.1. LUBRICATION

Before every use and after every 8 hours of effective work, carry out the greasing of the machine.

It is a good use that the greasing nipples are well cleaned up from mud or other residuals before using them for inject lubricating grease.

Lubricate with lithium grease the points, shown in the picture.



Point to grease

6.2. REPLACEMENT OF THE SPREADER VANES

In case the spreading vanes of the disc brake or get damaged, it is necessary to substitute them with new ones.



Unscrew the nut and replace the damaged vane.

The fixing items (nuts and bolts) must be of the same type of those prescribed from the manufacturer.

6.3. STORAGE

It is a good use not to wait for using the machine to carry out repairing and maintenance. To repair and to replace the parts that are broken or damaged before the storage, in order to have always the machine ready for being used.

To store the machine in a sheltered place away from atmospheric agents and protect it in order to avoid deteriorations.

The fertilizers are generally corrosive. For this reason it is important that no particles of fertiliser remains on the machine for long period of time.

Before storing the machine for long periods, it is opportune to operate as follows:

- wash accurately the machine and the inside of the hopper;
- to carry out a general control by sight of the machine in order to check eventual structural damages, to find eventual deep abrasions on the paint;
- to check that the safety signals are presents in their positions, that they are integral and readable, and in case they are deteriorated or unreadable, carry out immediately their substitution (see par. 3.1);
- to grease all the mechanical parts (to see par. 5.1);
- to store, if possible, the machine in a sheltered place.

6.4. SPARE PARTS

For the replacement of parts of the centrifugal spreader Mod. P-PL, the customer must use just original parts, ordering them directly to the manufacturer of the machine to authorized dealers.

Carrying out the order, it is necessary to specify what the identification label brings, in particular:

- serial number;
- model;
- manufacturing year;
- number of frame.

7. WARRANTY

All the manufactured machines, shown in this manual, are sold with one warranty valid for a year from the delivery date, subjected to the following clauses:

- ◆ In case a defect in a part is found (or in some parts) during a period of a year from the delivery date of the machine to the customer, the dealer commits himself to verify the defective part and, in case in the course of this verification it is assessed a defect which is due to the materials or to the manufacturing, he will repair the defective part or, to his discretion, to replace it free of charge.
- ◆ The customer, at the delivery, must control that the machine has not got damages during the transport, that is in compliance with the one ordered and that is complete with all the accessories got from the purchase contract. On the contrary, he must send a written claim within 8 days from its reception.
- ◆ The warranty is not applied in the following cases:
 - a) normal wear;
 - b) breaches or breaks deriving from negligence or due to the use of the machine in different conditions of the ones permitted;
 - c) in case the machine has got unauthorized modifications (in written document) from the manufacturer or if unoriginal spare parts and accessories were mounted;
 - d) when the serial number of the machine has been modified, removed or cancelled.

In any case, purchaser has to face the wearable parts substitution, the labour, transport costs, the eventual customs costs and the value-added tax.

Every responsibility for direct or indirect damages is declined when they are due to breaks or to the wear of the parts, the less for those deriving from the proper or improper use of themselves.

- ◆ Defects that are not clearly attributable to the material or to the manufacturing, will be checked by our Technical Attendance Centre or by our warehouse. If the claim would turn out unjustified, all the repair costs and/or substitution of the damaged parts will be debited to the purchaser.
- ◆ All the parts will be billed at the shipment time and at the eventual acknowledgment of the guarantees (previous receipt and check of the damaged parts). This will give the right to get the credit.

The manufacturer or its retailer will not be responsible of the loss, neither of the damage, whichever it is and in whichever way it happened during the transport.

The aforementioned commitment refers to the person of the customer and it cannot be yielded or be transmitted to others.

8. PARTS BREAKDOWN

Table 01

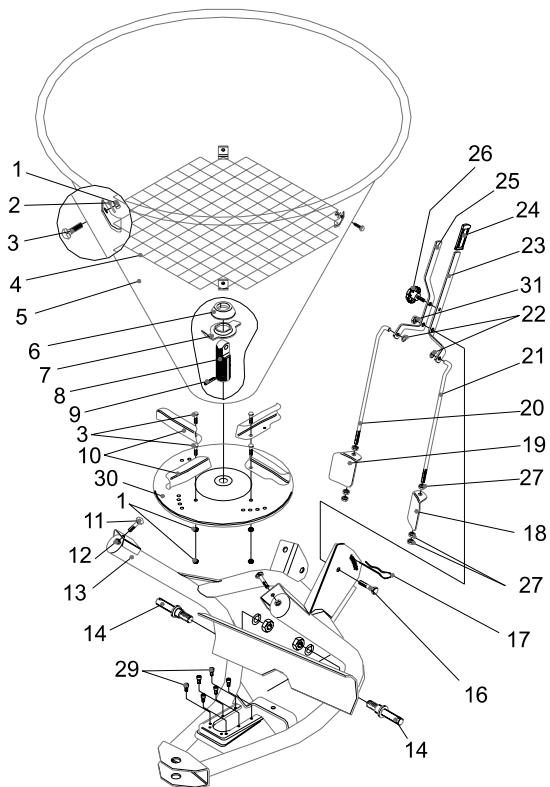


Table 02

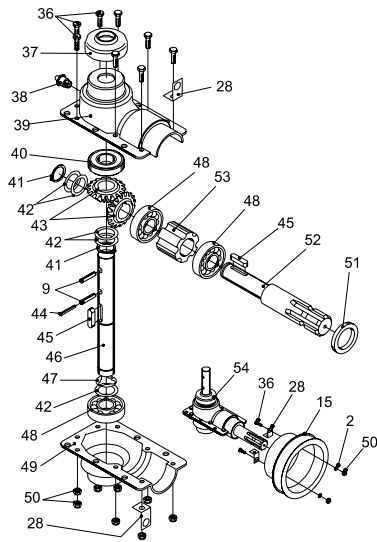
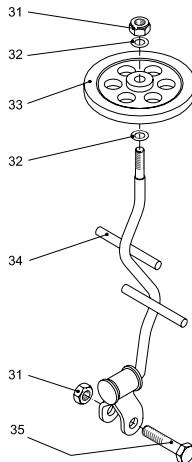


Table 03



POS.	QTY	CODE	DESCRIPTION
1	4	301.012	NUT M8 UNI 5588
1	4	301.012	NUT M8 UNI 5588 for protective grate
2	4	303.007	WASHER 8X17 UNI 6592
2	4	303.007	WASHER 8X17 UNI 6592 for protective grate
3	4	300.030	ROUNDHEADED SCREW 8X16 UNI 5731
3	4	300.030	ROUNDHEADED SCREW 8X16 UNI 5731 for protective grate
4	1	642.001	PROTECTIVE GRATE
5	1	609.013	HOPPER 500
5	1	609.012	HOPPER 400
5	1	609.011	HOPPER 300
5	1	609.010	HOPPER 250
5	1	609.008	HOPPER 180
6	1	304.013	RUBBER RING
7	1	619.002	LOWER AGITATOR
8	1	330.001	ENTRAINER
9	2	305.001	SPRING PIN 8X40
10	4	601.001	DISTRIBUTOR VANE
11	3	300.023	ROUNDHEADED SCREW 10X20 UNI 5731
12	3	301.010	NUT M10 UNI 5588
13	1	613.003	NEW FRAME "P" without lower link pins
14	2	633.001	LOWER LINK PIN
15	1	304.006	CE SHIELD
16	1	300.024	HEXAGONAL-HEAD SCREW 12x35 UNI 5739
17	1	307.001	SPLIT PIN 4,5
18	1	605.004	LEFT SHUTTER
19	1	605.003	RIGHT SHUTTER
20	1	602.001	RIGHT TIE ROD
21	1	602.002	LEFT TIE ROD
22	2	303.009	WASHER 10,5X21 UNI 6592
23	1	604.002	LEFT LEVER
24	1	304.008	RUBBER GRIP
25	1	604.001	RIGHT LEVER
26	1	302.003	LEVER LOCK KNOB
27	6	301.014	NUT M10 UNI 5589
28	2	606.012	BRACKET FOR GEAR BOX "CE"
29	6	300.014	CHEESE-HEADED SCREW 8x16 UNI 5931
30	1	610.003	SPREADER DISC without distributor vanes
	1	610.001	SPREADER DISC with distributor vanes
	1	610.013	STAINLESS STEEL SPREADER DISC without distributor vanes
	1	610.014	STAINLESS STEEL SPREADER DISC with distributor vanes

POS.	QTY	CODE	DESCRIPTION
31	1+2	301.008	SELF LOCKING NUT M12
32	2	303.026	WASHER 13X25 UNI 6592
33	1	304.011	BUFFER WHEEL
34	1	613.009	UPPER AGITATOR FRAME
35	1	300.025	HEXAGONAL-HEAD SCREW 12x55 UNI 5737
36	8	300.026	HEXAGONAL-HEAD SCREW 6x16 UNI 5739
37	1	304.002	OUTPUT SHAFT COWLING
38	1	306.002	GREASE NIPPLE M8
39	1	314.002	UPPER SHELL
40	1	310.001	BALL BEARING 6205 2RS
41	2	313.011	SPING-LOCK RING
42	5	303.011	WASHER 25X35X0,5 DIN 988
43	2	316.003	PINION
44	1	305.003	SPRING PIN 5X40
45	2	326.003	SPLINE KEY 8X7X20 UNI 6604
46	1	323.009	OUTPUT SHAFT
47	1	313.010	SPLIT RING
48	3	310.002	BALL BEARING 6205
49	1	314.001	LOWER SHELL
50	8	301.009	SELF LOCKING NUT M6
51	1	309.001	OIL SEAL
52	1	323.008	INPUT SHAFT
53	1	329.011	SPACER
54	1	322.002	GEAR BOX
55	2	300.029	HEXAGONAL-HEAD SCREW 8X20 UNI 5739
56	5	301.012	NUT M8 UNI 5588
57	3	303.013	WASHER 8X24 UNI 6593
58	1	606.009	SUPPORT BRACKET
59	1	606.010	SHEET GUARD
60	1	311.001	PTO SHAFT RS1 510
		619.004	AGITATOR
		618.006	LEVER GROUP ASSEMBLED
		618.001	RIGHT LEVER ASSEMBLED
		618.002	LEFT LEVER ASSEMBLED
		301.015	SACK WITH BOLTS AND NUTS
		900.001	OWNER'S MANUAL SPARE PARTS
		206.004	GUARD FOR SPREADER DISC
		308.099	BIG COSMO LABEL
		308.107	SPREADING CHART KG.
		308.108	SPREADING CHART LBS
		308.109	LABEL FOR PTO SHAFT CARE
			NUMBER LABEL
		308.192	ROTATION CARE LABEL

***ABONADORA CENTRÍFUGA
TRANSPORTADA
MOD. P - PL***

La Empresa

COSMO s.r.l.
Loc. Roata Raffa, 64
12022 Busca (Cn)
CUNEO - ITALY

DECLARA BAJO SU RESPONSABILIDAD QUE LA MÁQUINA

TIPO	ABONADORA CENTRÍFUGA
MODELO	P - PL
MATRÍCULA N.	
AÑO DE FABRICACIÓN	

Satisface la Directiva Europea:

98/37/CE

(Que abroga y comprende las Directivas 89/392/CEE, 91/368/CEE, 93/44/CEE y 93/68/CEE)

Para la adaptación de la máquina se han utilizado las siguientes Normas Armonizadas:

EN 1553 - prEN 14017

así como las especificaciones técnicas:

ISO 11684

Busca (CN),

FIRMA

INDEX

1. INTRODUCCIÓN.....	36
2. INFORMACIONES GENERALES	36
2.1. INFORMACIONES SOBRE EL MANUAL.....	36
2.2. INFORMACIONES SOBRE LA MÁQUINA	37
2.2.1. PLACA DE IDENTIFICACIÓN	37
2.2.2. CARACTERÍSTICAS DE LA MÁQUINA.....	37
2.2.3. IDENTIFICACIÓN DE LOS COMPONENTES.....	39
2.2.4. DATOS TÉCNICOS.....	39
3. INFORMACIONES SOBRE LA SEGURIDAD	40
3.1. CONJUNTO DE INDICACIONES DE SEGURIDAD.....	44
4. CONEXIONES.....	45
4.1. COMPROBACIÓN DE LA CAPACIDAD DE ELEVACIÓN DEL TRACTOR	45
4.2. CONEXIÓN AL EMBRAGUE TRIFÁSICO DEL TRACTOR.....	46
4.3. MONTAJE DEL ÁRBOL CARDÁN.....	46
5. EMPLEO DE LA ABONADORA	47
5.1. REGULACIONES.....	48
5.1.1. AJUSTE DE LAS PALETAS ESPARCIDORAS.....	48
5.1.2. REGULACIÓN DE LA CANTIDAD POR DISTRIBUIR	49
5.2. CARGA DE LA TOLVA	50
5.3. DISTRIBUCIÓN DEL FERTILIZANTE EN EL CAMPO.....	50
5.3.1. ERRORES DE LA DISTRIBUCIÓN	52
6. MANTENIMIENTO.....	53
6.1. ENGRASE.....	54
6.2. SUSTITUCIÓN DE LAS PALETAS DEL DISTRIBUIDOR	54
6.3. ALMACENAMIENTO	55
6.4. PIEZAS DE REPUESTO	55
7. GARANTÍA	56
8. TABLAS DESPIECES.....	57

COPYRIGHT BY COSMO

Las informaciones técnicas contenidas en este manual son de propiedad de la Firma COSMO s.r.l. y deben ser consideradas de naturaleza reservada.

Está prohibida la reproducción inclusive parcial del texto y de las ilustraciones.

Ediz. 03/2006

1. INTRODUCCIÓN

Las abonadoras centrífugas son máquinas utilizadas para la distribución sobre el terreno de abonos sólidos granulares y semillas, y pueden ser utilizadas tanto con tractores de pequeña como de mediana potencia.

Se recomienda leer atentamente el presente manual de uso y mantenimiento y atenerse escrupulosamente a las indicaciones descritas antes de efectuar cualquier uso, control y operación que haya que realizar con y sobre la máquina.

Este manual ha sido redactado para suministrarle al Cliente todas las informaciones sobre la máquina y sobre las normas de seguridad relacionadas con ella, como asimismo las instrucciones de uso y mantenimiento que permiten aprovechar al máximo las potencialidades de la máquina.

El manual tiene que estar siempre al alcance de la mano para que se lo pueda consultar para controlar el ciclo operativo. Si se lo perdiese o dañase, habrá que solicitar una copia sustitutiva.

Si se encontrase dificultades de interpretación de los textos o de las tablas o si los dibujos/esquemas no resultasen bastante claros, les rogamos que se pongan en contacto con el fabricante o el revendedor de la máquina para tener inmediatamente todas las aclaraciones a través de los expertos del funcionamiento/mantenimiento o de los encargados de la redacción del manual.

Estamos a la completa disposición de los utilizadores, de los responsables comerciales y de cualquier otra persona interesada, para una útil colaboración tendiente a mejorar la completa comprensión del manual.

2. INFORMACIONES GENERALES

2.1. INFORMACIONES SOBRE EL MANUAL

Este manual suministra todas las informaciones para el uso y el mantenimiento de la máquina. El buen funcionamiento y su duración dependerán del correcto mantenimiento y de la atención durante el empleo.

Algunas ilustraciones de este manual presentan piezas o accesorios que podrían ser diferentes a los de su máquina; algún componente podría haber sido extraído para asegurar la comprensión de las ilustraciones.

Se han aplicado en la máquina unos pictogramas apropiados. Será tarea del operador mantenerlos en un perfecto estado visivo y sustituirlos cuando no sean más legibles.



El símbolo a la izquierda, junto con las palabras indicadas más abajo:

¡PELIGRO!
¡ATENCIÓN!
¡ADVERTENCIA!

se utiliza en este manual para llamar su atención sobre la seguridad y el buen funcionamiento de la máquina. Es necesario entonces respetar todas las reglas indicadas.

Se recomienda utilizar los repuestos y accesorios originales.

Las piezas no originales, además de hacer caducar la garantía, podrían resultar peligrosas, reduciendo la duración y las prestaciones de la máquina.

2.2. INFORMACIONES SOBRE LA MÁQUINA

Los modelos de máquina presentados en este manual han sido diseñados y fabricados exclusivamente para efectuar la distribución sobre el terreno de abonos sólidos granulares y de semillas. La máquina no está indicada para ser usada en sectores diversos del agrícola.

Esta máquina se utiliza generalmente durante el día; si se requiere su uso nocturno o en condiciones de visibilidad reducida, se debe utilizar el sistema de iluminación del tractor.

Un uso diverso de aquél especificado está considerado impropio.

Cualquier modificación arbitraria aportada a esta máquina libera al fabricante de cualquier responsabilidad por daños o lesiones, inclusive graves, que pueden resultar para los operadores, para terceros y objetos.

2.2.1. PLACA DE IDENTIFICACIÓN

En el bastidor de cada máquina está aplicada una placa que indica el modelo, el número de matrícula y el año de fabricación de la máquina.

Quando se solicitan piezas de repuesto siempre es necesario hacer referencia al tipo de máquina, al número de bastidor y al año de fabricación.



Ubicación de la placa en la máquina

2.2.2. CARACTERÍSTICAS DE LA MÁQUINA

La robustez del chasis en acero soldado, juntamente con la notable duración a lo largo del tiempo de la tolva, permite obtener un nivel de calidad global altísimo en la categoría de pertenencia de los distribuidores de abono transportados.

El pintado se efectúa con pintura epoxídica al horno a 150°C con la aplicación de la mano de fondo a baño para garantizar una gran protección y una larga duración de la máquina.

La abonadora mod. P está caracterizada por un distribuidor de abono completamente en acero inoxidable equipado con un disco distribuidor con cuatro paletas regulables en cuatro diversas posiciones, para obtener la máxima precisión de esparcimiento y uniformidad en la distribución, dependiendo del tipo de producto que se tiene que esparcir.



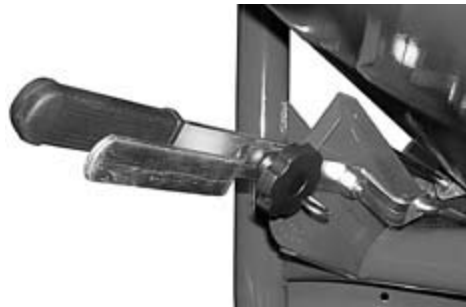
Disco distribuidor

La alimentación del disco se realiza por fuerza de gravedad, a través de dos aperturas laterales a la tolva, en el interior de la cual está aplicado un agitador/mezclador, para impedir la formación de grumos de fertilizante. Antes del disco está colocado un reparo de chapa para impedir el esparcimiento en la parte delantera de la máquina.

La dosificación del producto se lleva a cabo variando la sección de las aperturas de la tolva por medio de un sistema de palancas de apertura desdobladas de manera tal que permitan el esparcimiento sólo a la derecha o a la izquierda respecto del sentido de avance.



Agitador



Palancas dosificación

El distribuidor está conectado a una transmisión (1:1) con engranajes módulo 17 para poder resistir y absorber los eventuales saltos de potencia.

En la versión PL, la tolva en lugar de ser de acero, está realizada en plástico, perfectamente intercambiable con todos los modelos de la versión P.

A pedido, se puede equipar la máquina con un **transportador lateral** para utilizar para esparcir los fertilizantes en los pomares.



2.2.3. IDENTIFICACIÓN DE LOS COMPONENTES



- A. Palanca regulación dosificación
- B. Embrague trifásico
- C. Reparador delantero
- D. Conexión elevador
- E. Acoplamiento árbol cardán
- F. Tolva
- G. Chasis en tubular de acero
- H. Paletas distribuidoras

2.2.4. DATOS TÉCNICOS

CARACTERÍSTICAS TÉCNICAS					
	P180	P250	P300	P400	P500
Capacidad tolva (litros /galones) (Kg./lbs)	165/44 213/470	220/58 285/628	260/79 335/739	300/79 387/853	345/91 450/992
Peso máquina (Kg./lbs)	54/119	56/123	58/128	60/132	63/139
Altura de carga (metros/pulgadas)	0,90/36	1,01/40	1,05/41	1,07/42	1,13/44,5
Anchura tolva (metros/pulgadas)	0,91/35,43	1,00/39,37	1,05/41,33	1,08/52,71	1,11/43,89
Anchura esparcimiento (metros/ft)					
Granulados Cristalinos	12-14/39-46 6-7/20-23	12-14/39-46 6-7/20-23	12-14/39-46 6-7/20-23	12-14/39-46 6-7/20-23	12-14/39-46 6-7/20-23
Potencia requerida a 540 rpm (Kw./Hp)	8/6	8/6	8/6	8/6	8/6

3. INFORMACIONES SOBRE LA SEGURIDAD

LAS SIGUIENTES PRESCRIPCIONES DE SEGURIDAD SIRVEN PARA PROTEGER SU INCOLUMIDAD: ES NECESARIO ENTONCES LEERLAS ATENTAMENTE, MEMORIZARLAS Y APLICARLAS SIEMPRE.

Las advertencias presentes en este manual se refieren exclusivamente a los usos permitidos y que son razonablemente previsibles. Las indicaciones presentadas a continuación deberán ser integradas con la prudencia y la experiencia de quien trabaja, elementos que son indispensables para prevenir los infortunios.

La máquina debe ser utilizada por un sólo operador. No hacer utilizar la máquina a menores de edad.

Todas las instrucciones presentadas a continuación deben ser respetadas con atención.

Las eventuales modificaciones de la herramienta que no hayan sido previamente autorizadas por el Fabricante (en forma escrita), excluyen su responsabilidad.

Verificar con atención la máquina antes de cada puesta en funcionamiento.

Consejos generales

- Leer atentamente este manual antes de efectuar operaciones de puesta en marcha, empleo, mantenimiento u otras intervenciones sobre la máquina.
- Observar, además de las advertencias contenidas en este manual, todas las normas de seguridad y de prevención de accidentes de carácter general.
- El manual debe estar siempre al alcance de la mano, para poder así consultarlo para verificar el ciclo operativo y las informaciones acerca de la seguridad. Si se lo pierde o se lo daña, habrá que pedir una copia sustitutiva.



¡ATENCIÓN!

Cualquier trabajo de mantenimiento, regulación y limpieza, debe ser efectuado con la máquina en el piso (en condiciones de estabilidad), el motor del tractor apagado, la toma de fuerza desconectada, el freno de mano apretado, la llave de encendido apagada y quitada del cuadro de arranque.

- Leer atentamente las calcomanías de seguridad aplicadas en la máquina y seguir las instrucciones. En caso de deterioro o de escasa legibilidad de los pictogramas de seguridad, limpiarlos o sustituirlos colocándolos en la posición exacta, tal como se describe en el párrafo 3.1.



¡ATENCIÓN! - ¡ADVERTENCIA!

Durante el período de empleo, mantenimiento, reparación, manipulación o almacenamiento de la máquina, el operador debe vestir zapatos y guantes de seguridad. De ser necesario, deberá ponerse también auriculares contra el ruido, máscara antipolvo y gafas de protección.

- Durante las fases de carga y de trabajo subsiste el peligro de inhalación de polvos producidos por la mezcla de los componentes del abono utilizado. Se aconseja utilizar tractores equipados con cabina con filtros en el sistema de ventilación o bien utilizar adecuados sistemas de protección de las vías respiratorias como máscaras antipolvo o máscaras con filtro.

-
-
- La máquina está diseñada para ser utilizada por un sólo operador que, durante el empleo, debe permanecer siempre en el puesto de mando a bordo del tractor.
 - No trabaje jamás con esta máquina si está cansado, enfermo o bajo la influencia de alcohol, drogas o medicinas.



¡PELIGRO!

**Está prohibido subir o hacerse transportar por la máquina en movimiento.
No introducirse por ningún motivo en el interior de la tolva.**

- Mantener la máquina limpia de materiales extraños (desechos, herramientas, objetos varios) que podrían dañar el funcionamiento o provocar daños al operador. **Los fertilizantes son generalmente bastante corrosivos. Por este motivo es importante que no quede ninguna partícula de abono en la máquina durante largos períodos de tiempo. Limpiar la tolva y el distribuidor enseguida después del empleo de la máquina.**
- Si para las operaciones de limpieza se utiliza aire o agua en presión, será necesario ponerse gafas y máscaras de protección y alejar a eventuales personas o animales de las cercanías de la máquina.
- Antes de conectar la máquina al tractor o a otro medio semoviente, hay que asegurarse de que él esté en buenas condiciones y que los frenos funcionen correctamente, sobre todo si se trabaja sobre terrenos en declive.
- Desconectar la máquina del tractor solamente sobre un terreno compacto y en horizontal (posiblemente con la tolva vacía), comprobando que esté detenida y estable.



¡ADVERTENCIA!

En las operaciones de transporte, almacenamiento y empleo de los fertilizantes, los utilizadores deben comportarse conformemente a las indicaciones presentadas en la etiqueta del producto y, especialmente, al contenido de las frases de riesgo y de los consejos de prudencia.



¡ATENCIÓN!

El Fabricante no responde por eventuales daños causados por un empleo de la máquina no previsible o impropio.

El Fabricante se considera libre de eventuales responsabilidades en el caso de:

- uso inapropiado de la máquina, uso por parte de personal no capacitado;
- graves carencias en el mantenimiento previsto;
- modificaciones o intervenciones no autorizadas;
- uso de repuestos no originales o específicos para el modelo;
- inobservancia total o parcial de las instrucciones;
- inobservancia de las comunes normas de seguridad en el ámbito de trabajo;
- eventos excepcionales.

Conexión de la máquina al tractor

- El embrague trifásico del tractor y de la abonadora deben coincidir o ser adaptados.
- Asegurarse de que el árbol cardán esté conectado correctamente después de cada operación de conexión de la máquina y que no se desenganche cuando se baja la máquina para llenar la tolva.



¡ATENCIÓN! ¡PELIGRO!

Comprobar que las protecciones de los árboles cardanes de transmisión estén íntegras y en buenas condiciones.

- En caso de rotura o deterioro de las protecciones del árbol cardán, habrá que sustituirlas inmediatamente.
- Cuando la máquina no está enganchada a la unidad de potencia, el árbol cardán tiene que estar colocado en el correspondiente soporte.
- La presencia de la máquina puede influenciar la maniobrabilidad del tractor, especialmente durante el transporte.



¡ATENCIÓN!

No interponerse, por ningún motivo, entre el tractor y la abonadora con el motor encendido y la toma de potencia conectada.

Funcionamiento de la máquina

- Controlar la máquina antes de cada puesta en funcionamiento. Comenzar el trabajo sólo si la máquina está en perfectas condiciones.
- Antes de utilizar la máquina, hay que asegurarse de que todos los dispositivos de seguridad estén colocados correctamente en su lugar y en buen estado; si se comprobasen fallas o daños en las protecciones, habrá que sustituirlas inmediatamente.



¡ATENCIÓN!

Durante el trabajo, hay que asegurarse de que en el radio de 50 metros no haya personas o animales. Cuando se trabaja cerca de carreteras o de lugares públicos, es ABSOLUTAMENTE OBLIGATORIO alejar a las personas y aumentar la prudencia.



¡ATENCIÓN!

Quienquiera que se acerque a la máquina está en una zona de peligro y por ello se convierte en una "PERSONA EXPUESTA". El operador tiene que impedir que nadie entre en la zona de peligro y operar él mismo con la máxima cautela. Si se acercase alguien, habrá que detener inmediatamente el motor del tractor.

- Antes de cualquier empleo de la abonadora, hay que controlar siempre el estado de desgaste de las paletas de los discos distribuidores. Comprobar que los elementos de fijación (tornillos y tuercas) estén presentes y bien fijados.
- La máquina no debe ser dejada sin vigilancia cuando está en movimiento.
- Mantener siempre la máquina en buenas condiciones operativas y efectuar el mantenimiento con regularidad.

Transferencia en carretera



¡ATENCIÓN!

Hay que atenerse escrupulosamente al código del tráfico en vigencia en el país de empleo.

Durante las transferencias en carreteras públicas, es obligatorio vaciar el contenido de la tolva.

- Juntamente con el respeto de las normas, cabe recordar que en la circulación por las carreteras públicas hay que prestar una particular atención, además que a eventuales prescripciones particulares anotadas en el manual de circulación del tractor, a la elección de una velocidad de transferencia apropiada, especialmente cuando hay mucho tráfico en la carretera, cuando es tortuosa o en declive.
- En el caso que la abonadora oculte con su tamaño las luces de indicación traseras del vehículo remolcador, será necesario aplicar una barra de luces repetitiva y/o unos carteles de indicación traseros.
- Entrando a la carretera después de un trabajo, habrá que prestar atención a la limpieza de los neumáticos o de los órganos de trabajo, para evitar ensuciar con tierra u otro material la calzada de la carretera.



¡ATENCIÓN!

Durante la circulación en carretera, el dispositivo de luz intermitente amarilla o naranja montado en el tractor, tiene que quedar siempre en funcionamiento inclusive durante el día.



¡ATENCIÓN!

Durante el transporte con la máquina elevada, hay que asegurarse siempre de que la palanca de control del elevador delantero esté bloqueada, para evitar el descenso accidental de la máquina.

3.1. CONJUNTO DE INDICACIONES DE SEGURIDAD



¡ATENCIÓN!

Asegurarse de que los pictogramas de seguridad sean legibles. Limpiarlos usando un paño, agua y jabón. Sustituir las etiquetas dañadas colocándolas en la posición correcta tal como se describe a continuación.

Las señales de seguridad aplicadas en la máquina ofrecen una serie de indicaciones que son importantísimas: su respeto sirve para su seguridad.



1. ¡ATENCIÓN! Antes de efectuar cualquier intervención sobre la máquina, hay que detener el motor del tractor, quitar la llave del salpicadero, accionar el freno de estacionamiento y leer el manual de uso y mantenimiento.



3. ¡ATENCIÓN! Asegurarse del sentido de rotación y del número de revoluciones (540 rpm) de la toma de potencia del tractor antes de conectar el árbol cardán.



5. ¡ATENCIÓN! - **¡PELIGRO!** Posible lanzamiento de material y/u objetos; no detenerse ni acercarse a la máquina. Mantener una distancia de seguridad mínima de 50 m de la máquina.



2. ¡ATENCIÓN! PELIGRO e enganche y arrastre. No acercar las manos al árbol de transmisión en movimiento.



4. ¡ATENCIÓN! PELIGRO de aplastamiento. No detenerse entre la operadora y el tractor cuando el motor del tractor está encendido.



6. ¡ATENCIÓN! PELIGRO de cizallado. No acercar los miembros al disco distribuidor con la máquina en funcionamiento.



7. ¡ATENCIÓN!

Utilizar los Dispositivos de Protección Individuales requeridos.

Ubicación de los pictogramas en la máquina



4. CONEXIONES

Antes del enganche de la máquina a la unión a tres puntos, posicionar el dispositivo de seguridad del tractor de modo tal que sea imposible la elevación y el descenso involuntario y/o accidental de los brazos.

El embrague trifásico del tractor y de la herramienta tienen que coincidir o ser adaptados.

Cerca de los tirantes de los brazos del elevador trasero del tractor subsiste el peligro de herida, debido a los puntos de aplastamiento y de corte.

No utilizar el mando externo para la elevación de la herramienta.

En la posición de transporte, hay que bloquear el paro lateral de los tirantes.

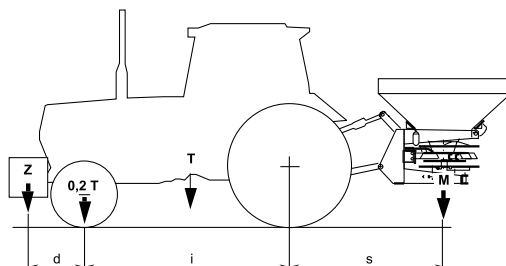
4.1. COMPROBACIÓN DE LA CAPACIDAD DE ELEVACIÓN DEL TRACTOR



¡PELIGRO!

Es obligatorio comprobar la capacidad de elevación y la estabilidad del tractor (antes de efectuar el acoplamiento con la máquina) para evitar su vuelco y/o la pérdida de adherencia de las ruedas.

Verificar la capacidad de elevación y la estabilidad del tractor mediante la siguiente fórmula y, de ser necesario, aplicar anteriormente los contrapesos.



$$M \leq 0,2 T i + Z (d + i)$$
$$M \leq 0,3 T$$

i	=	distancia entre los ejes ruedas tractor
d	=	distancia del eje delantero de los contrapesos
s	=	distancia del eje anterior de la máquina operadora
T	=	masa del tractor + 75 Kg. (operador)
Z	=	masa de los contrapesos
M	=	masa de la máquina

4.2. CONEXIÓN AL EMBRAGUE TRIFÁSICO DEL TRACTOR



¡ATENCIÓN!

Cada vez que se desciende del tractor, es necesario desconectar la toma de fuerza, detener el motor y accionar el freno de estacionamiento.

Para la conexión de la máquina al tractor hay que seguir las siguientes instrucciones:

- Retroceder con el tractor hasta llegar cerca de las uniones inferiores de la abonadora.
- Fijar los enganches inferiores del tractor a los pernos de la máquina y bloquearlos con los pasadores de seguridad.
- Una vez efectuada esta operación, conectar el enganche superior de la máquina al tercer punto del tractor introduciendo el correspondiente perno y bloquear el dispositivo de anti-desatornillado del tercer punto;
- Alzar la máquina unos pocos centímetros desde el piso y, actuando sobre los tirantes laterales de las barras del elevador y sobre los dos tensores, bloquear su movimiento lateral para impedir excesivas oscilaciones durante la fase de elaboración.

La máquina debe estar posicionada, mediante la elevación de los enganches inferiores del tractor, de manera tal que la distancia del terreno del extremo inferior del disco distribuidor sea de aproximadamente 70 cm. Para obtener una distribución regular, es importante que el disco distribuidor esté en posición horizontal respecto del terreno.

- Luego de haber efectuado estas operaciones, se puede conectar el árbol cardán de transmisión de la toma de potencia al árbol acanalado de la caja de engranajes de la máquina (cubierto por una contra-envoltura de protección) y luego a la toma de potencia del tractor.



¡ATENCIÓN!

El árbol cardán tiene que ser siempre el último en ser conectado a la toma de potencia del tractor y el primero en ser desconectado al final de la elaboración.

4.3. MONTAJE DEL ÁRBOL CARDÁN

Antes de utilizar el árbol cardán hay que tomar visión del manual de uso y mantenimiento anexo al mismo.

Si no se utilizase el árbol cardán suministrado juntamente con la máquina, habrá que comprobar que las envolturas de la máquina y del tractor se superpongan a la protección del árbol cardán por lo menos en la medida prevista por las normativas vigentes (5 cm.).

Para un funcionamiento de la máquina correcto y seguro, hay que utilizar exclusivamente árboles cardanes con marcación CE.

Utilizar solamente árboles cardanes de transmisión con protecciones íntegras.

- Engrasar periódicamente el árbol cardán ateniéndose a las indicaciones suministradas por el fabricante del cardán (véase el Manual de Uso y Mantenimiento del árbol cardán).
- Respetar el sentido de montaje del árbol cardán recomendado por el fabricante y que está indicado en el revestimiento externo de la protección (dibujo tractor en el tubo externo del árbol hacia la toma de potencia del tractor mismo).
- Enganchar las cadenillas anti-rotación y asegurarse de que el bloque de seguridad antiextracción (botón o virola) esté correctamente introducido y bloqueado en el propio alojamiento.



¡ATENCIÓN!

Comprobar el sentido de rotación y que la regulación de la velocidad de la toma de potencia del tractor esté en el valor de 540 revoluciones/min., pues la máquina está diseñada para esta velocidad.

La longitud del árbol cardán debe ser adecuada al tipo de tractor que se utiliza.

Cuando el árbol cardán está separado de la toma de potencia del tractor, tiene que estar SIEMPRE apoyado sobre el correspondiente sostén.

La Empresa COSMO s.r.l. no se considera responsable por los daños provocados por un montaje y utilización incorrectos de la transmisión cardánica.

5. EMPLEO DE LA ABONADORA



¡ATENCIÓN!

Antes del empleo, hay que comprobar que el grupo de transmisión esté adecuadamente engrasado (véase el párrafo 6.1).



¡ATENCIÓN!

Durante el empleo de la máquina, hay que asegurarse de que no haya personas o animales en el radio de 50 metros. Si se acercase alguien, habrá que interrumpir inmediatamente el trabajo y detener el motor del tractor.

Indicaciones para un buen esparcimiento del abono:

- Realizar siempre una prueba de los Kg/Ha. que se desean esparcir antes de trabajar con la máquina.
- Utilizar fertilizantes en perfecto estado; un abono mojado no podrá ser esparcido correctamente y con uniformidad.
- No meter la toma de fuerza que acciona el disco cuando el tractor está acelerado; bajar los giros motores hasta el mínimo y después acelerar gradualmente para alcanzar una velocidad de 540 r.p.m.
- Aprir los pasos de abono cuando tengan la velocidad deseada.
- Evitar esparcir el fertilizante en los días demasiado ventosos, para mejorar así la uniformidad de distribución.

Si se utiliza la máquina para esparcir sal se debe poner un deflector detrás del disco esparcidor.

El deflector está equipado con dos soportes, derecho e izquierdo, con pomos.

Los soportes tiene que ser fijados al bastidor de la abonadora por los tornillos cabeza cuadrada 10x30 que fijan la tolva en el bastidor.

Los pomos se utilizan para parar el deflector hacia arriba o hacia abajo según el radio de esparcimiento establecido.

Cuanto más el deflector está fijado hacia arriba, más el radio de esparcimiento se reduce y viceversa.



Limitador de esparcimiento de sal

5.1. REGULACIONES

No es posible establecer una tabla de esparcimiento exacta para herramientas que aprovechan el principio centrífugo, pues la cantidad distribuida depende de la velocidad de avance, del radio de distribución, de la calidad y humedad del fertilizante y de las asperezas del terreno.

El abono debe ser almacenado y conservado siempre adecuadamente para mantener así inalteradas sus características físicas.

Es necesario establecer la velocidad de avance del vehículo remolcador antes de comenzar con la distribución y tratar de, en la medida de lo posible, mantenerla constante por toda su duración.

Las tablas de esparcimiento contienen las **indicaciones aproximadas** para determinar la cantidad por distribuir en el campo; ellas deben ser integradas con la experiencia y la competencia del operador.

5.1.1. AJUSTE DE LAS PALETAS ESPARCIDORAS

La abonadora es entregada con las paletas del disco en posición "3" que es la posición ideal para la uniformidad con la mayoría de los abonos en venta.

Si no hay una distribución uniforme (más de un lado que otro) avanzar las paletas hasta que se encuentre el ajuste correcto.

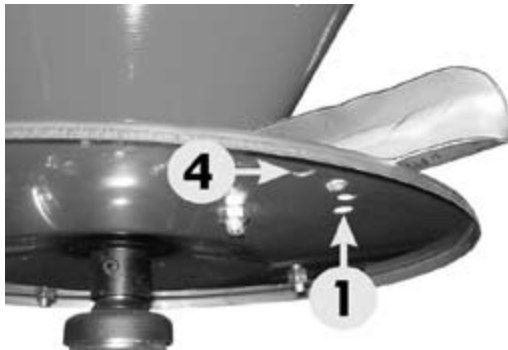
Por lo general es necesario avanzar sólo dos paletas de enfrente para alcanzar buenos resultados.

Si este ajuste no es suficiente hacer el mismo ajuste en otras dos paletas de enfrente.

Por ejemplo, si hay más distribución en el lado izquierdo (en el sentido del avance del tractor) colocar las dos paletas en el agujero de la posición "4".

Si después este ajuste la distribución aún no es uniforme, avanzar también otras dos paletas en la posición "4".

Si hay más distribución en el lado derecho avanzar las paletas en la posición "2" o "1".

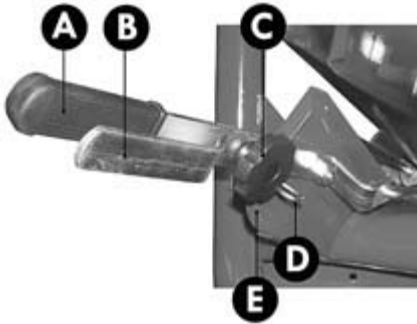


Regulación aletas disco distribuidor

5.1.2. REGULACIÓN DE LA CANTIDAD POR DISTRIBUIR

La distribución de fertilizante se regula mediante la palanca de regulación que comanda la sección de apertura en el fondo de la tolva.

Para efectuar la regulación, después de haber consultado la tabla de esparcimiento aplicada también en la tolva de la abonadora, sobre la base del tipo de producto y de la velocidad de avance, será necesario desplazar la palanca "A" a lo largo de la escala graduada "E" y bloquearla en la posición deseada con el pasador "D".



SPREADING CHART											
SPREADING CHART FOR FERTILIZER						SPREADING CHART FOR SEED					
TYPE	SPREADER	1	2	3	4	5	6	7	8	9	10
LARGE	5.0	100	200	300	400	500	600	700	800	900	1000
MEDIUM	5.0	60	120	180	240	300	360	420	480	540	600
SMALL	5.0	30	60	90	120	150	180	210	240	270	300
SEED	5.0	10	20	30	40	50	60	70	80	90	100
SEED	7.5	15	30	45	60	75	90	105	120	135	150
SEED	10.0	20	40	60	80	100	120	140	160	180	200
SEED	12.5	25	50	75	100	125	150	175	200	225	250
SEED	15.0	30	60	90	120	150	180	210	240	270	300
SEED	17.5	35	70	105	140	175	210	245	280	315	350
SEED	20.0	40	80	120	160	200	240	280	320	360	400
SEED	22.5	45	90	135	180	225	270	315	360	405	450
SEED	25.0	50	100	150	200	250	300	350	400	450	500
SEED	27.5	55	110	165	220	275	330	385	440	495	550
SEED	30.0	60	120	180	240	300	360	420	480	540	600
SEED	32.5	65	130	195	260	325	390	455	520	585	650
SEED	35.0	70	140	210	280	350	420	490	560	630	700
SEED	37.5	75	150	225	300	375	450	525	600	675	750
SEED	40.0	80	160	240	320	400	480	560	640	720	800
SEED	42.5	85	170	255	340	420	510	600	690	780	870
SEED	45.0	90	180	270	360	450	540	630	720	810	900
SEED	47.5	95	190	285	380	475	570	660	750	840	930
SEED	50.0	100	200	300	400	500	600	700	800	900	1000

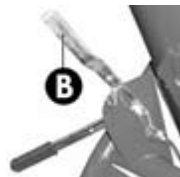
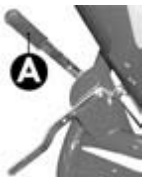
Antes de comenzar a trabajar asegurarse que las salidas del abono con la palanca en posición "cerrado" sean cerradas completamente. De lo contrario hacer el ajuste con las tuercas.

Para distribuir desde ambos lados (ref. I), las palancas "A" y "B" tienen que estar en la misma posición, conectadas mediante la perilla "C".



Para efectuar la distribución sólo en el lado izquierdo (ref. II), respecto del sentido de avance del tractor, será necesario desconectar las dos palancas quitando la perilla "C", posicionar la palanca "A" en la posición elegida sobre la base de la tabla de esparcimiento y poner la palanca "B" hacia la parte más alta (posición 1 de la escala graduada) para poder cerrar la apertura izquierda puesta en el fondo de la tolva.

Para distribuir sólo en el lado derecho (ref. III), en cambio, hay que poner la palanca "A" hacia arriba (en posición 1 de la escala graduada) y regular la cantidad por distribuir con la palanca "B".



Distribución en el derecho a izquierdo (ref. III)

Distribución en el izquierdo a derecho (ref. II)

5.2. CARGA DE LA TOLVA

Se aconseja no cargar la tolva manualmente sino utilizando un elevador o adecuados medios mecánicos.



¡ATENCIÓN!

La tolva debe ser cargada solamente después de haber conectado la abonadora al tractor.

Antes de efectuar la carga, las compuertas de la tolva tienen que estar cerradas: pongan las palancas de regulación hacia arriba (posición 1 de la escala graduada- véase el párr. 5.1.2).

Durante la carga, la toma de potencia tiene que estar siempre desconectada, el motor del tractor parado, la llave del cuadro de mandos desconectada y el freno de estacionamiento accionado.

No conducir por largas distancias con carga plena y no poner bolsas llenas en el abono contenido en la tolva durante el transporte en el campo o durante la elaboración, para no recargar la capacidad de la máquina y comprimir el fertilizante.

No hacer girar inútilmente por mucho tiempo el disco distribuidor con las compuertas cerradas porque el abono podría aplastarse, comprometiendo el funcionamiento de la máquina y provocar roturas del aparato dosificador y de la caja de transmisión.

En la fase de carga de la tolva, si es necesario bajar la máquina más allá del límite permitido por el árbol cardán, hay que desconectar este último antes de bajar ulteriormente la máquina.



¡ADVERTENCIA!

En las operaciones de transporte, almacenamiento y empleo de los fertilizantes, los utilizadores deben comportarse conformemente a las indicaciones presentadas en la etiqueta del producto y, en especial, al contenido de las frases de riesgo y de los consejos de prudencia.

5.3. DISTRIBUCIÓN DEL FERTILIZANTE EN EL CAMPO



¡ATENCIÓN! - ¡ADVERTENCIA!

Durante el período de empleo, mantenimiento, reparación, manipulación o almacenamiento de la máquina, el operador debe vestir zapatos y guantes de seguridad. De ser necesario, tendrá que usar también auriculares contra el ruido, máscara antipolvo y gafas protectivas.

Después de haber conectado la máquina al tractor y haber efectuado las necesarias regulaciones, se puede comenzar el trabajo.



¡ATENCIÓN!

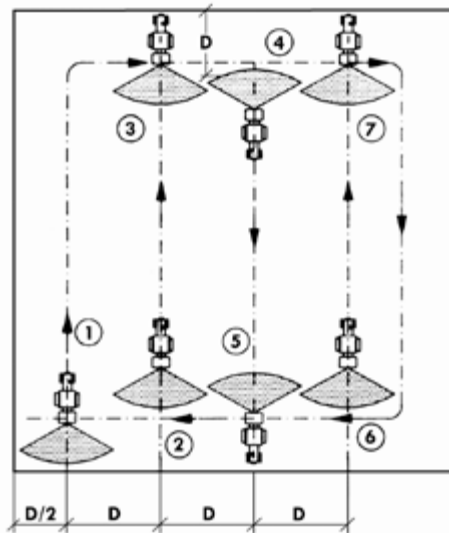
Antes de descender del tractor y antes de efectuar cualquier operación de mantenimiento y regulación, hay que accionar el freno de estacionamiento, apagar el motor y quitar la llave de encendido del salpicadero y aguardar a que se detengan todos los elementos móviles.

No conectar la toma de fuerza con el tractor en aceleración.

Usar la palanca de la toma de fuerza del tractor evitando movimientos bruscos e imprevistos: tener la palanca hasta que el cardán comienza a girar y sucesivamente soltar suavemente la palanca.

Hay dos modos diferentes para distribuir el fertilizante en el campo. Uno de los métodos más simples se explica a continuación:

- Posicionar el tractor al inicio del campo que se desea tratar, a una distancia ($D/2$) igual a la mitad de la amplitud de trabajo que se utiliza (punto 1)
- Avanzar en el interior del campo distribuyendo el fertilizante sobre todo el perímetro (punto 2).
- Detener el tractor a una distancia (D) desde el punto 1 igual a la amplitud de trabajo programada (punto 3). Para garantizar la uniformidad de distribución, se sugiere igualmente efectuar una superposición de aproximadamente el 20-25 % entre una pasada y la otra, en relación con la anchura de distribución y el tipo de abono utilizado.
- Comenzar a esparcir procediendo en línea recta hasta el punto 3.
- Girar el tractor y recorrer una distancia D igual a la amplitud de trabajo (punto 4).
- Repetir dicho procedimiento hasta que estará cubierta toda la parcela.



5.3.1. ERRORES DE LA DISTRIBUCIÓN

Errores de operación

- Velocidad de avance inadecuada.
- Anchura de distribución incorrecta.
- El disco distribuidor no está en posición horizontal respecto del terreno.
- Velocidad de avance del tractor diversa de la recomendada en las tablas de distribución, o igualmente no adecuada para ese determinado tipo de abono.
- Errores de conducción (no superposición de las superficies de esparcimiento).
- Falta de limpieza de los discos distribuidores y de las aperturas de caída.

Errores debidos al fertilizante

- Fertilizante de mala calidad.
- Fertilizante mojado o excesivamente húmedo.
- La composición del abono no es correcta o no corresponde a lo declarado por el vendedor.
- Presencia de grumos excesivos de abono o de dimensiones particularmente grandes que influyen negativamente sobre el rendimiento de la distribución.
- Cuerpos extraños en el abono.

Errores debidos a la máquina

- Aperturas de la tolva obturadas.
- Partes del disco de distribución desgastadas o dañadas.

6. MANTENIMIENTO

Se ilustran ahora los criterios aconsejados de mantenimiento ordinario de la máquina, basados en la experiencia de la empresa y en los consejos y sugerencias dados por nuestros clientes.

Dichos criterios no son exhaustivos sino que pueden ser ulteriormente integrados también con la colaboración de los mismos clientes, a los cuales agradecemos anticipadamente.

Un buen mantenimiento ordinario mantiene bajo el coste de ejercicio de la máquina y permite un aprovechamiento integral de sus potencialidades.



¡ATENCIÓN!

Cualquier trabajo de mantenimiento, regulación y limpieza debe ser efectuado con la máquina en el piso (en condiciones de estabilidad), el motor del tractor apagado, la toma de potencia desconectada, el freno de mano conectado, la llave de encendido apagada y quitada del cuadro de arranque.

En caso de avería, el operador debe detener inmediatamente la máquina, asegurarse de la entidad del problema y efectuar las eventuales intervenciones sobre la máquina.

Si se utiliza agua en presión o aire comprimido para la limpieza de la máquina, es necesario protegerse con apropiadas gafas o máscaras de protección y alejar a eventuales personas o animales de las cercanías de la máquina. No usar fluidos inflamables.



¡ATENCIÓN!

Para las operaciones de mantenimiento, hay que utilizar siempre los oportunos Equipos de Protección Individual (calzados de seguridad y guantes de trabajo) y predisponer todas las formas de prevención de accidentes previstas para el tipo de operación en curso.

Cada 8 horas de trabajo efectivo hay que controlar el apretado de todas las tuercas y de los bulones.

En caso de vibraciones anómalas, hay que comprobar el estado de desgaste de las paletas del disco distribuidor, el correcto apretado de todos los bulones y el engrase del grupo de transmisión.

La excesiva vibración de la máquina, además del fastidio específico, es en sí misma peligrosa e igualmente daña toda la estructura, sometiendo los órganos mecánicos a ciclos de stress siempre más gravosos respecto a los datos de diseño.

Para intervenciones particulares que no se conocen o de sustitución de piezas dañadas no contempladas en este Manual, es necesario recurrir a personal especializado, sirviéndose del Servicio de Asistencia del Fabricante o sus revendedores.

6.1. ENGRASE

Antes de cada empleo y después de cada 8 horas de trabajo efectivo, hay que engrasar el grupo de transmisión.

Antes de usar las cabezas de los engrasadores para inyectar grasa lubricante, es una buena norma limpiarlas antes correctamente del fango o de otros residuos.

Engrasar con grasa al litio el punto previsto, indicado en la figura.



Punto de engrase

6.2. SUSTITUCIÓN DE LAS PALETAS DEL DISTRIBUIDOR

Si las paletas y los discos distribuidores estuviesen rotos o dañados, será necesario sustituirlos con otros originales.



Destornillar con una llave la tuerca de fijación y sustituir el elemento dañado.

Los elementos de fijación (tornillos y tuercas) deben ser del mismo tipo de aquellos recomendados por el Fabricante.

6.3. ALMACENAMIENTO

Es conveniente no esperar a usar la máquina para efectuar intervenciones de reparación y mantenimiento. Hay que reparar y sustituir las piezas que están rotas o dañadas antes de guardar la máquina, para poder tenerla siempre lista para ser utilizada.

Almacenar la máquina en un lugar reparado de agentes atmosféricos y protegerla, para evitar que se deteriore.

Los fertilizantes generalmente son bastante corrosivos. Por este motivo, es importante que no quede ninguna partícula de abono en la máquina por largos períodos de tiempo.

Antes de poner la máquina en reposo por largos períodos, es oportuno seguir las siguientes instrucciones:

- lavar cuidadosamente la máquina y el interior de la tolva;
- efectuar un control general visual de la máquina para individualizar eventuales lesiones estructurales, detectar eventuales abrasiones profundas en la pintura;
- comprobar que estén presentes los pictogramas de seguridad originales en sus posiciones, que estén íntegros y legibles y, si estuviesen deteriorados o ilegibles, sustituirlos inmediatamente (véase el párr. 3.1);
- engrasar todos los órganos mecánicos (véase el párr. 5.1);
- de ser posible, guardar la máquina en un local cubierto.

6.4. PIEZAS DE REPUESTO

Para sustituir partes de la máquina ABONADORA CENTRÍFUGA Mod. P - PL, el cliente tiene que utilizar exclusivamente repuestos originales, solicitándolos directamente al Fabricante de la máquina o a revendedores autorizados.

Al efectuar el pedido, es necesario especificar las indicaciones de la placa de identificación de la máquina, en especial:

- serie
- modelo
- año de fabricación
- número de bastidor

7. GARANTÍA

Todas las máquinas producidas, presentadas en este Manual, se venden con una garantía de un año a partir de la fecha de entrega, y está sujeta a las siguientes cláusulas:

- ◆ Si se encontrase un defecto en una pieza (o en algunas piezas) de una máquina, durante un período de un año desde la fecha de entrega de la máquina al cliente, la empresa se compromete a verificar la pieza considerada defectuosa y, si en el curso de dicha comprobación se encontrase un defecto debido a los materiales empleados o de fabricación, se compromete a reparar la pieza defectuosa o, a su discreción, a sustituirla gratuitamente.
- ◆ El cliente, en el momento de la entrega, tiene que controlar que la máquina no haya sufrido daños durante el transporte, que sea conforme a aquella pedida y que posea todos los accesorios previstos por el contrato de compra. En caso contrario, debe expedir una reclamación escrita antes de pasados 8 días de la recepción de la máquina.
- ◆ La garantía no se aplica en los siguientes casos:
 - a) desgaste normal;
 - b) roturas o fallas derivadas de negligencia o del empleo de las máquinas en condiciones diferentes de aquellas permitidas;
 - c) si la máquina hubiese sufrido modificaciones no autorizadas (en forma escrita) por la Casa Madre o se haya montado piezas de repuesto o accesorios no originales;
 - d) cuando el número de matrícula de la máquina haya sido modificado, quitado o borrado.

Están en todos los casos a cargo del comprador los gastos de sustitución de los materiales de consumo, la mano de obra, los gastos de transporte, los eventuales impuestos aduaneros y el impuesto sobre el valor agregado.

Se declina toda responsabilidad por daños directos o indirectos que deriven de roturas y/o desgaste de partes de las máquinas, como asimismo para aquellos que deriven del empleo propio o impropio de las mismas.

- ◆ Los defectos que no se puedan atribuir claramente al material o a la fabricación, serán examinados en nuestro Centro de Asistencia Técnica o en nuestra sede. Si el reclamo debiese resultar injustificado, todos los gastos de reparación y/o sustitución de las partes dañadas serán cargadas en la cuenta del comprador.
- ◆ Todos los repuestos serán facturados en el momento de la expedición y el eventual reconocimiento de las garantías (previa recepción y comprobación de la pieza averiada) dará derecho a la nota de crédito.

El fabricante o su revendedor no serán responsables por el extravío ni por el daño, cualquiera que sea y en cualquier modo que se haya comprobado durante el transporte.

El mencionado compromiso se refiere a la persona del cliente y no puede ser cedido o transmitido a otros.

8. TABLAS DESPIECES

Tabla 01

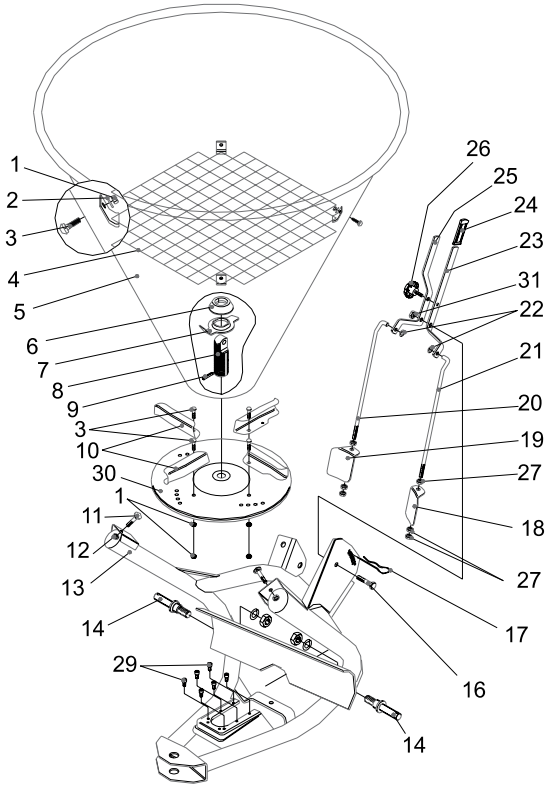


Tabla 02

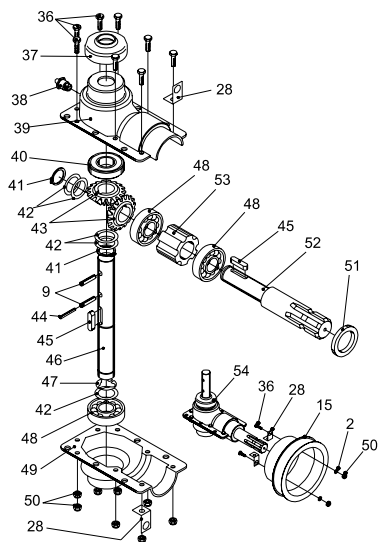
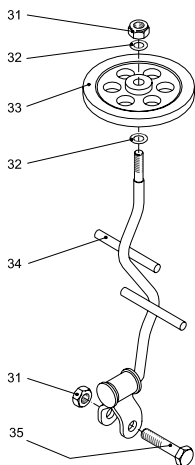


Tabla 03



POS.	CANT.	CÓDIGO	DESCRIPCIÓN
1	4	301.012	TUERCA MEDIA M8 UNI 5588 ZB
1	4	301.012	TUERCA MEDIA M8 UNI 5588 ZB para reja
2	4	303.007	ARANDELA 8X17 UNI 6592 ZB
2	4	303.007	ARANDELA 8X17 UNI 6592 ZB para reja
3	4	300.030	TORNILLO TTQST 8X16 UNI 5731 ZB
3	4	300.030	TORNILLO TTQST 8X16 UNI 5731 ZB para reja
4	1	642.001	REJA PROTECCIÓN CE
5	1	609.013	TOLVA 500
5	1	609.012	TOLVA 400
5	1	609.011	TOLVA 300
5	1	609.010	TOLVA 250
5	1	609.008	TOLVA 180
6	1	304.013	ARANDELA RANURADA ARRASTRADOR
7	1	619.002	AGITADOR INFERIOR
8	1	330.001	ARRASTRADOR ALUMINIO
9	2	305.001	PASADOR ELÁSTICO 8X40
10	4	601.001	PALETA
11	3	300.023	TORNILLO TTQST 10X20 UNI 5731 ZB
12	3	301.010	TUERCA MEDIA M10 UNI 5588 ZB
13	1	613.003	BASTIDOR "P" NUEVO sin perno elev.
14	2	633.001	PERNO ELEVACIÓN
15	1	304.006	TAPA CEE
16	1	300.024	TORNILLO CABEZA HEXAGONAL 12X35 UNI 5739 ZB
17	1	307.001	CLAVIJA 4,5 ZB
18	1	605.004	COMPUERTA IZQUIERDA
19	1	605.003	COMPUERTA DERECHA
20	1	602.001	TIRANTE DERECHO
21	1	602.002	TIRANTE IZQUIERDO
22	2	303.009	ARANDELA PLANA 10,5X21 UNI 6592 GR
23	1	604.002	PALANCA IZQUIERDA
24	1	304.008	EMPUÑADURA EN GOMA
25	1	604.001	PALANCA DERECHA
26	1	302.003	PERILLA PALANCAS 8X25
27	6	301.014	TUERCA MEDIA M10 UNI 5589 GR
28	2	606.012	ESTRIBO PROT.RED.CEE
29	6	300.014	TORNILLO ALLEN 8X16 UNI 5931 ZB
30	1	610.003	DISCO ESPARCIDOR sin paletas
	1	610.001	DISCO ESPARCIDOR c/paletas
	1	610.013	DISCO ESPARCIDOR INOX sin paletas
	1	610.014	DISCO ESPARCIDOR INOX c/paletas

POS.	CANT.	CÓDIGO	DESCRIPCIÓN
31	1+2	301.008	TUERCA AUT. ALTA M12 ZB
32	2	303.026	ARANDELA 13X25 UNI 6592 ZB
33	1	304.011	RUEDECILLA AGITADOR
34	1	613.009	CHASIS AGITADOR SUPERIOR
35	1	300.025	TORNILLO CABEZA HEXAGONAL 12X55 UNI 5737 ZB
36	8	300.026	TORNILLO CABEZA HEXAGONAL 6X16 UNI 5739 ZB
37	1	304.002	ENVOLTURA ÁRBOL SALIDA REDUCTOR
38	1	306.002	ENGRASADOR M8 ZB
39	1	314.002	CASCO SUPERIOR
40	1	310.001	RODAMIENTO 6205 2RS
41	2	313.011	ANILLO DE PARO 25X1,2
42	5	303.011	ARANDELA PS 25X35X0,5 DIN 988 GR
43	2	316.003	PIÑÓN
44	1	305.003	PASADOR ELÁSTICO 5X40
45	2	326.003	CHAVETA 8X7X20 UNI 6604
46	1	323.009	ÁRBOL SALIDA
47	1	313.010	ANILLO ELÁSTICO 19x1,75
48	3	310.002	RODAMIENTO 6205
49	1	314.001	CASCO INFERIOR
50	8	301.009	TUERCA AUT. ALTA M6 ZB
51	1	309.001	SELLO DE ACEITE
52	1	323.008	ÁRBOL ENTRADA
53	1	329.011	DISTANCIADOR
54	1	322.002	GRUPO COMPLETO-REDUCTOR
55	2	300.029	TORNILLO CABEZA HEXAGONAL 8X20 UNI 5739 ZB
56	5	301.012	TUERCA MEDIA M8 5588 ZB
57	3	303.013	ARANDELA 8X24 UNI 6593 ZB
58	1	606.009	ESTRIBO SOP. PROTECCIÓN IT.
59	1	606.010	PROTECCIÓN CHAPA IT.
60	1	311.001	ÁRBOL CARDÁN RS1 510
		619.004	AGITATOR
		618.006	GRUPO MANIJAS MONTADO
		618.001	PALANCA DERECHA ENSAMBLADA
		618.002	PALANCA IZQUIERDA ENSAMBLADA
		301.015	BOLSITA BULONES
		900.001	MANUAL INSTRUCCIONES Y REPUESTOS
		206.004	PROTECCIÓN ITALIA
		308.099	ADHESIVO COSMO GRANDE
		308.107	ADHESIVO ESPARCIMIENTO KG.
		308.108	ADHESIVO ESPARCIMIENTO LBS
		308.109	ADHESIVO ATENCIÓN CARDÁN
			ADHESIVO NÚMERO
		308.192	ADHESIVO ATENCIÓN ROTACIÓN

