



Compact Tractor Grapple Rake
(Single Cylinder)



Compact Tractor Grapple Rake
(Dual Cylinder)



Economy Grapple Rake

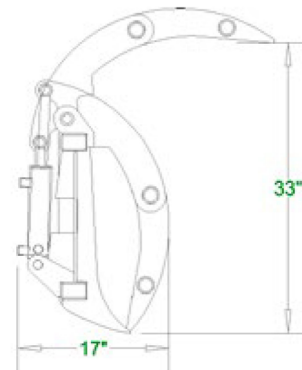
COMPACT & ECONOMY GRAPPLE RAKES

- Compact avail with single or dual cylinders
- Two independent grapples optional
- Unique design makes it easy to roll debris into tight piles
- Economy Grapple Rake Size: 60" & 72"
- Compact Tractor Single Cylinder Sizes: 48", 54", 60", 66"
- Compact Tractor Dual Cylinder Sizes: 60", 66"

Our Grapple Rakes are ideal for raking and loading debris. The shape of the grapple makes it easy to roll debris into tight places. A single grapple or two independent grapples are available. We use American made cylinders, rated at 4,000 psi, to handle the toughest jobs. Our Compact Tractor Grapple Rake is for use on tractors less than 40 HP. The Compact Tractor Grapple Rake is built heavy enough for rigorous use, but light enough for compact tractors.

New to IronCraft, Our Economy Grapple Rakes come in 66" or 72" and are rated for machines up to 45 HP. The Economy Grapple Rakes are built with top quality steel and are ready to tackle the toughest jobs.

Compact Tractor Grapple Rake Specs



Economy Tractor Grapple Rake Specs

